

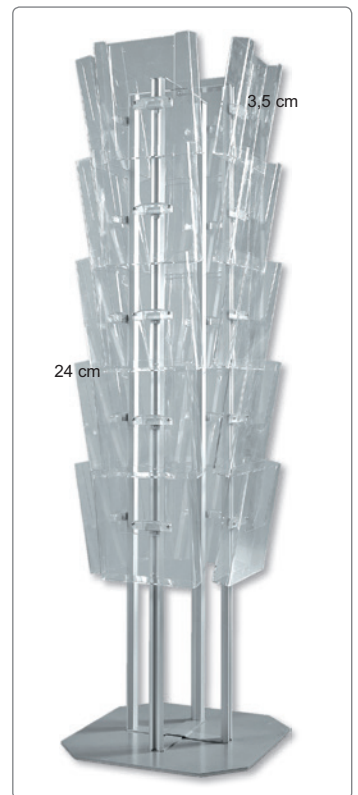
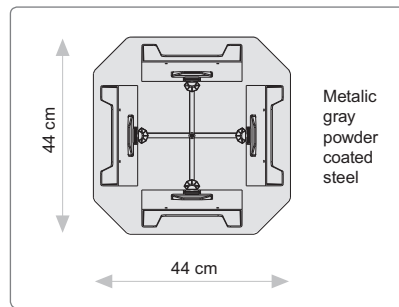
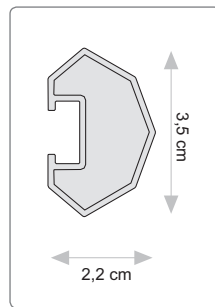
 Alu Brochure Stand with a powder coated gray octagonal heavy base of steel. The 20 acrylic pockets are suitable for A4 brochures. Quick and easy to assemble.

 Alu Prospektständer mit schwerem pulverlackiertem grauem achteckigem Fuss aus Stahl. 20 Stück A4 Prospekthalter aus Acryl. Leicht und schnell zu montieren.

 Alu Brochurestander med pulverlakeret grå ottekantet tung fod i stål. De 20 stk. holdere i akryl passer til A4 brochurer. Hurtig og let at samle.



Model	Art.no.	Capacity	Colour	Total W x H x D	Package size and weight	Pallet size and quantity
844	6052	20 x A4	Silver/transparent	44 x 150 x 44 cm	29 x 152 x 11 + 46 x 46 x 3 + 4 pcs. 25 x 28 x 24 cm 22 kg	80 x 155 x 220 cm 20 pcs.