

**TECHNICAL GUIDE**  
**Truss Single Banner P763**

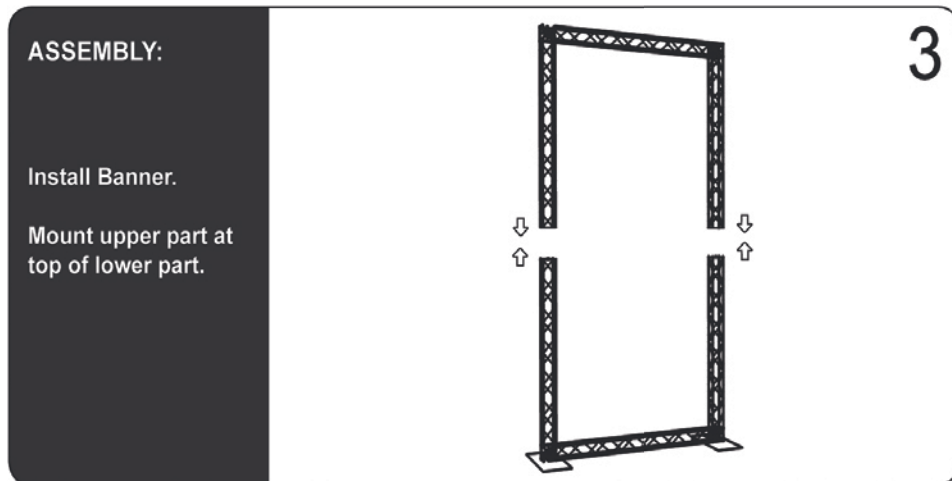
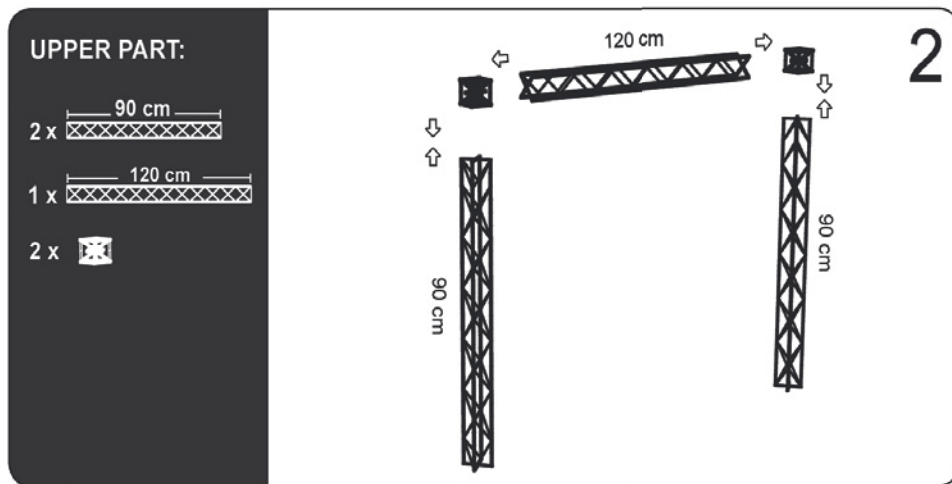
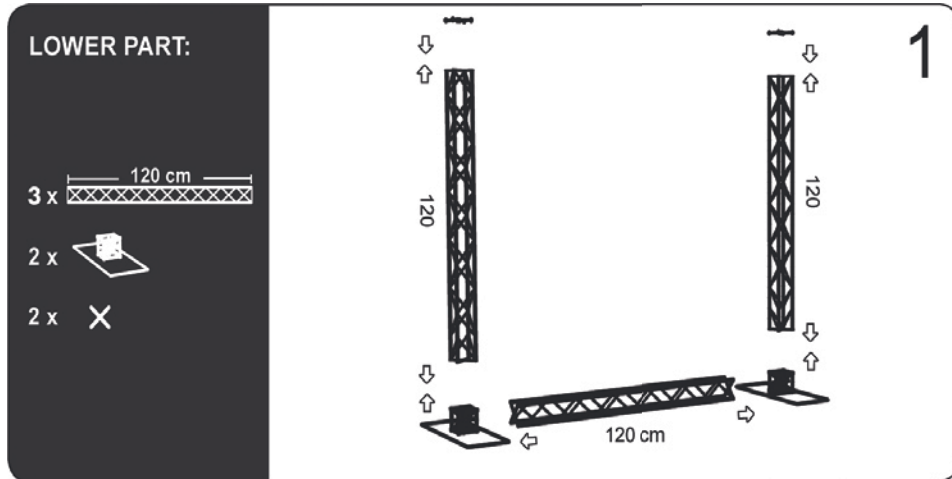
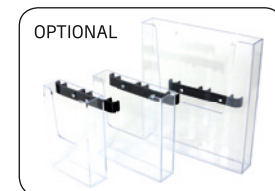
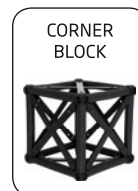
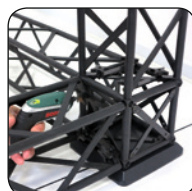


A modular truss system with unlimited possibilities. Made in strong and durable materials: aluminum, steel and composite. Foldable construction - very easy to assemble and disassemble.

**Supplied complete with:**

- 2 x 90 + 4 x 120 cm Modules,
- 4 x Corner Block,
- 2 x Connector Cross,
- 2 x Middle Base,
- 8 x Top and Bottom Clips,
- 2 x 120 cm Alu Profile,

Delivered without banner.



| Model | Art.no. | Print size   | Colour | Total W x H x D     | Weight |
|-------|---------|--------------|--------|---------------------|--------|
| 763   | 1763    | 120 x 212 cm | Black  | 154 x 246 x 60,5 cm | 24 kg  |